

# REVERSE OSMOSIS DRINKING WATER SYSTEM

## Model TS3T-24 Manual

### R.O. DRINKING WATER SYSTEM ONE YEAR LIMITED WARRANTY

#### **What Does This Warranty Cover?**

*This warranty covers any defects in materials and workmanship of the R.O. Drinking Water System when installed and operated within recommended parameters, with the exceptions stated below.*

#### **How Long Does The Coverage Last?**

*The manufacturer will warrant its R.O. Drinking Water System, for a period of one year from the date of purchase. All implied warranties including merchantability and fitness for a particular purpose are limited to one year from the date of purchase for the R.O. Drinking Water System. Some states do not allow limitations on how long an implied warranty lasts, so the above limitations may not apply to you.*

#### **What Will The Manufacturer Do?**

*The manufacturer will repair or replace at its discretion any defective component. You must pay any labor charges. You must also pay for shipping or travel charges to return the defective part(s).*

#### **What Does This Warranty Not Cover?**

*This warranty does not cover the disposable sediment and carbon filters whose service life depends on feed water conditions. In addition, the membrane is only warranted if the required feed water conditions are met.*

*The above warranty will also not apply to any part of the R.O. Drinking Water System that is damaged because of neglect, misuse, alterations, accident, misapplication, physical damage, or damage caused by fire, acts of God, freezing or hot waters or similar causes. Consequential and incidental damages are not recoverable under this warranty. Some states do not allow the exclusion or limitation of incidental or consequential damages, so the above limitation or exclusion may not apply to you.*

*We recommend that you use only authorized replacement parts since improper parts or incorrectly performed maintenance or repair voids this warranty.*

#### **How Do You Get Service?**

*In order to be eligible for service under this warranty you must (a) contact your local dealer who supplied the unit or (b) contact the factory for the dealer nearest you.*

#### **How Does State Law Apply?**

*This warranty gives you specific legal rights and you may also have other rights which vary from state to state.*

---

#### **IMPORTANT NOTICES:**

This reverse osmosis system contains replaceable treatment components critical for effective performance. It is the user's responsibility to, and the manufacturer strongly recommends that the user, periodically test the product water to verify the system is performing satisfactorily.

**DO NOT USE WITH WATER THAT IS MICROBIOLOGICALLY UNSAFE OR OF UNKNOWN QUALITY, WITHOUT ADEQUATE DISINFECTION BEFORE OR AFTER THE SYSTEM.**

## MODEL TS3T-24 TECHNICAL SUPPORT INFORMATION

### PRIMARY ASSEMBLY COMPONENTS

**PREFILTER:** Sediment Carbon Block Filter

**MEMBRANE:** Thin Film Composite (T.F.C.)

**POST FILTER:** Activated carbon filter

### R.O. MEMBRANE INFORMATION

**TYPE:** T.F.C.-24

**RATED MEMBRANE PRODUCTION<sup>1</sup>:** Produces  $24 \pm 4$  gpd (76-106 lpd)

**RATED MEMBRANE TDS REDUCTION<sup>1</sup>:** 95% minimum

<sup>1</sup> Measured at Industry Standard condition of 65 psig (450 kPa), 77° F (25°C), 500 ppm/mg/l TDS and discharging to atmosphere. **NOTE:** Actual system production and contaminant reduction will depend upon water temperature and pressure, TDS level, membrane variation and usage pattern.

### CONDITIONS OF USE

**WATER SUPPLY:** chlorinated or non-chlorinated

**WATER PRESSURE:** 40-100 psig (280-690 kPa)

**WATER TEMPERATURE:** 40-100°F (4-38°C)

### WATER SUPPLY PARAMETERS

**HARDNESS:** less than 10 gpg (170 mg/l) or soften

**IRON:** less than 0.1 ppm (also mg/l)

**MANGANESE:** less than 0.05 ppm (also mg/l)

**HYDROGEN SULFIDE:** none

**pH RANGE:** 3-11

**TDS LEVEL:** no more than 2000 ppm (also mg/l)

**CHLORINE<sup>2</sup>:** see note below

**BACTERIA<sup>3</sup>:** water source must be potable

<sup>2</sup> Chlorine will damage a T.F.C. Membrane. The Sediment/Carbon Prefilter will remove chlorine from the incoming water. Change filter every 6 to 12 months, more often if water contains more than 1 ppm chlorine.

<sup>3</sup> Do not use with water that is microbiologically unsafe or of unknown quality, without adequate disinfection before or after the system.

## TYPICAL TS3T-24 UNDER SINK INSTALLATION DIAGRAM

Water flows from the Feed Water Valve to the Sediment/Carbon Block Prefilter. Water then flows through the R.O. Membrane. After the R.O. Membrane, the R.O. water flows to the Drinking Water Holding Tank for storage. When R.O. water is needed, it flows through the Activated Carbon Post Filter to the Dispensing Faucet.

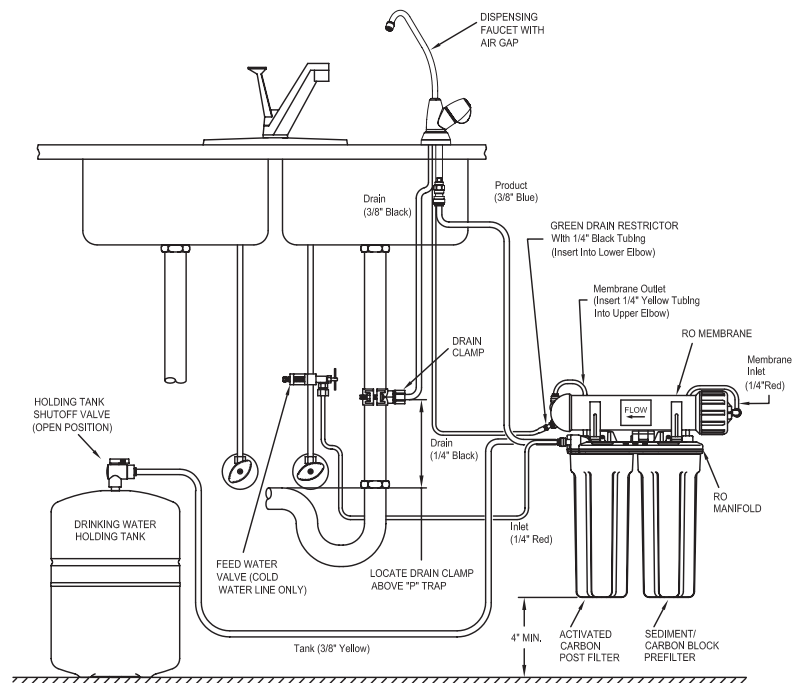
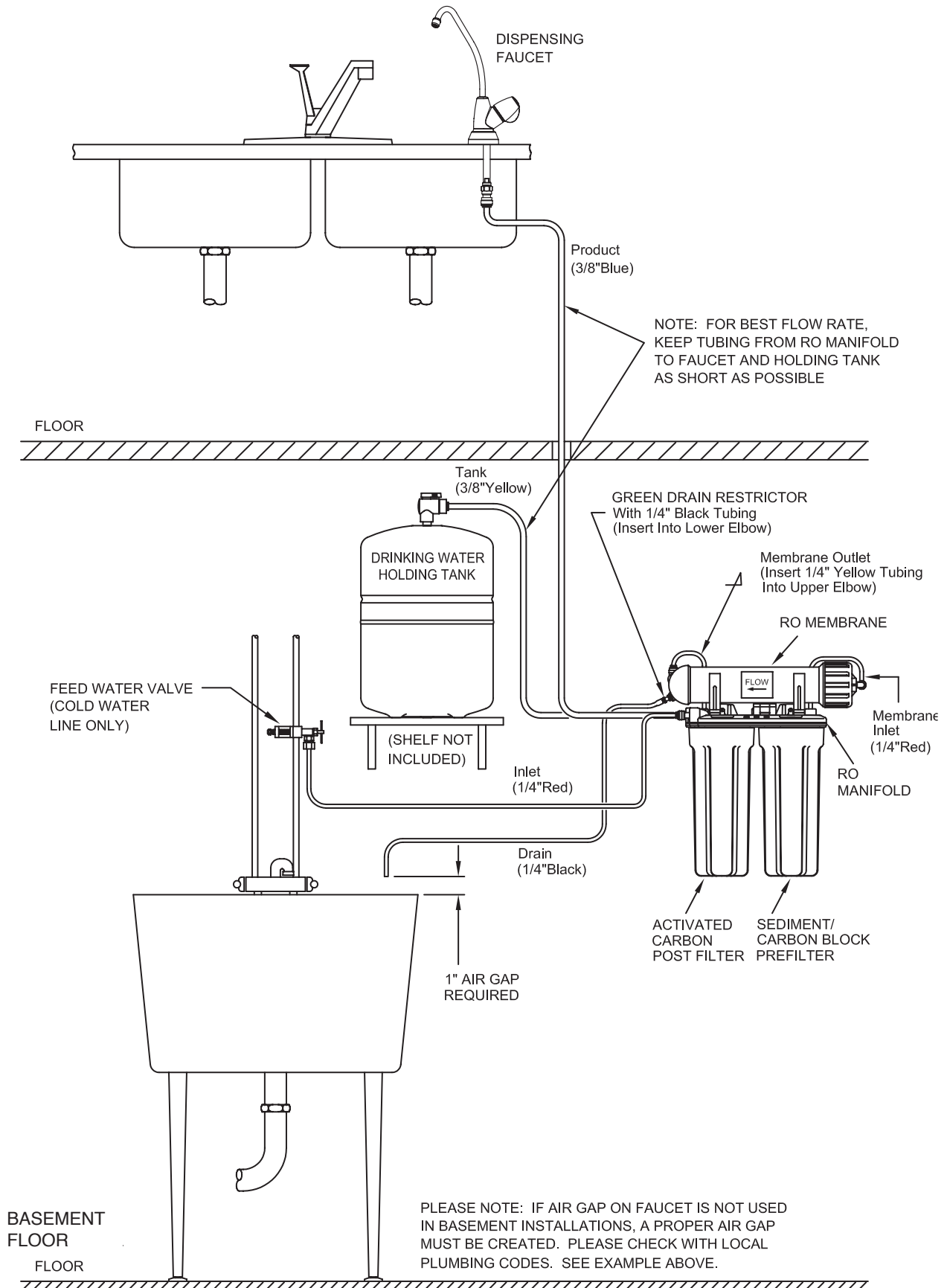


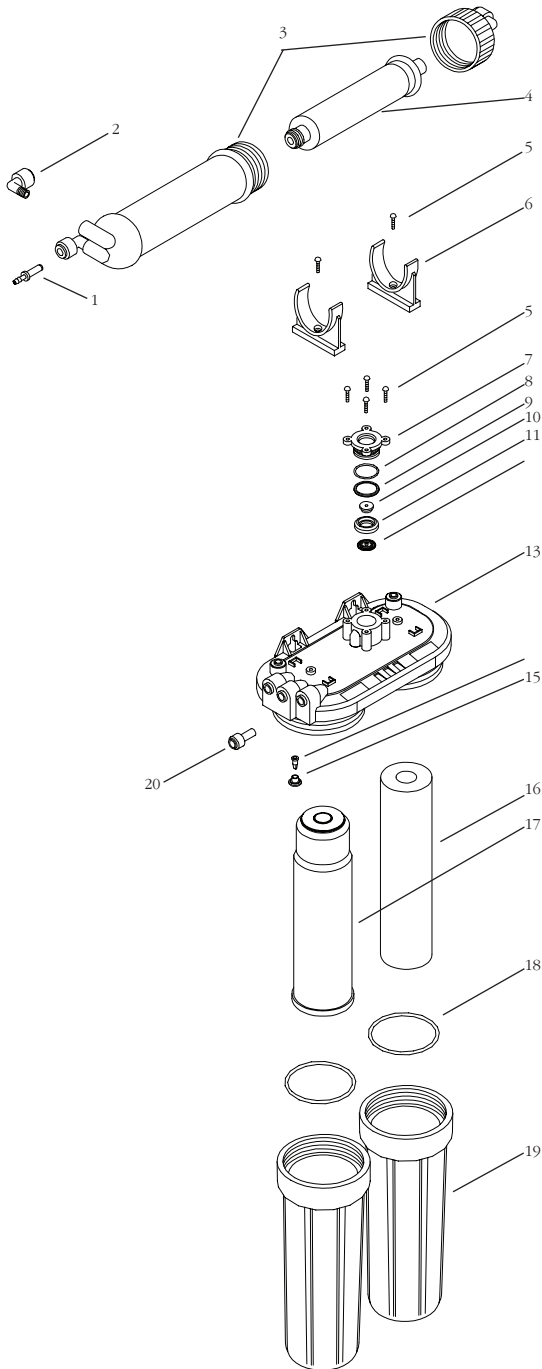
Figure 1

## TYPICAL TS3T-24 BASEMENT INSTALLATION DIAGRAM



**Figure 2**

## EXPLODED VIEW & PARTS LIST



DIAG.	PART	DESCRIPTION
NO.	NO.	
1	S2116-5	Drain Restrictor 50 GPD (189 lpd) Green
2	PK-A4ME2-MG	1/8 MPT x 1/4 Polytube Elbow
3	144376	Membrane Housing and Cap
4	S1575	T.F.C.-24 GPD (91 lpd) Membrane
5	S2009	Self Tapping Screw
6	S1231	Membrane Clips
7	S2005-01	ASO Cap
8	S2013	ASO Cap O-Ring
9	S2011	ASO Diaphragm – Large
10	S2007-01	ASO Piston
11	S2006-01	ASO Piston Ring
12	S2010	ASO Diaphragm – Small
13	NSSTF0405TS*	Manifold Plate Assembly
14	V3333	Check Valve
15	S1279	Check Valve Retainer
16	155634-43	Sediment/Carbon Prefilter
17	S7010S	Activated Carbon Post Filter
18	S4025RW	Housing O-Ring
19	S4024RW	Housing
20	PK-A4RD6-MG	3/8 Post x 1/4 Polytube Connector
See Figure 1:		
	C2000F	Holding Tank
	S1037	Holding Tank Shut-off Valve
*Includes diagram #'s: 5, 7, 8, 9, 10, 11, 12, 14, 15 & 20 - assembled & tested		